

Moulded Parts

CBO-5, Low Voltage 5 Cores Cable Breakout

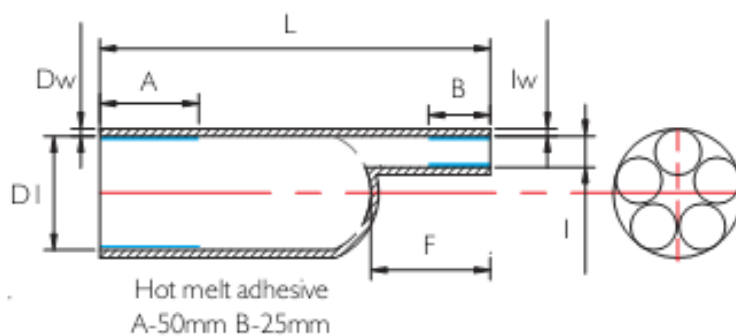
Features/Applications

Made from radiation cross-linked polyolefin, and suitable to applications up to 1KV. The properties of electrical insulation, UV resistant and weather proof make it widely used in electric power industry to provide insulation and seal over the crutch of multi-core cables.

Minimum shrink temperature: 110°C

Minimum fully recovery temperature: 130°C

Standard color: Black



Technical Data

Property	Test Method	Typical Data
Operation temperature	IEC216	-55°C TO +110°C
Tensile strength	ASTMD2671	13Mpa(min.)
Tensile strength after thermal aging(120°C/168hrs.)	ASTMD2671	10Mpa(min.)
Elongation at break	ASTMD2671	300% (min.)
Elongation at break after thermal aging (120°C/168hrs.)	ASTMD2671	250% (min.)
Dielectric strength	IEC243	15kv/mm(min.)
Volume resistance	IEC93	10 ¹³ Ω . cm
Water absorption	ISO62	1% (max.)

Products Dimensions

Order Ref. No.	D(mm)		l(mm)		Recovered length ± 10%		Recovered wall ± 10%	
	a(min.)	b(max.)	a(min.)	b(max.)	L(mm)	F(mm)	Dw(mm)	lw(mm)
CBO-40/19	40	19	13	4	98	25	2.5	2.0
CBO-55/24	55	24	18	5	155	40	3.2	2.6
CBO-80/33	80	33	26	8	175	53	3.0	2.8
CBO-100/42	100	42	34	10	190	60	3.0	3.0

a. as supplied

b. after recovery